

# Installation Guide

Urfeuer Corner  
50-88-44 left

©2023

**BRUNNER**<sup>®</sup>  
*made in germany.*

---

# CONTENTS

<b>1</b>	<b>Basic information.....</b>	<b>3</b>
<b>2</b>	<b>Product description.....</b>	<b>4</b>
<b>3</b>	<b>Precautionary statements.....</b>	<b>4</b>
<b>4</b>	<b>Delivery contents.....</b>	<b>6</b>
<b>5</b>	<b>Assemblies.....</b>	<b>7</b>
<b>6</b>	<b>Assembly.....</b>	<b>14</b>
	6.1 Setting up.....	14
	6.2 Preparation of combustion chamber.....	15
	6.3 The components of the combustion chamber.....	17
	6.4 Deflector plate.....	20
	6.5 Spark protection.....	21
<b>7</b>	<b>Drawings and technical data.....</b>	<b>22</b>

# 1 BASIC INFORMATION



All instructions delivered with products must be observed. We do not accept any warranty claim or liability for damage resulting from failure to observe these installation instructions!

Improper installation can cause injury and material damage!

The installation has to be carried out by an authorized stove fitter.

All installed “Urfeuers” have to be approved on site by the local chimney sweeper and the definition of the product line is the following:

“Urfeuers” are:

- decorative wood fires
- for occasionally use
- with no heating function
- which can only be used as an open fireplace

As producer, BRUNNER provides manufacturer's data to insure fire security and the right dimensions of the chimney system. With this information, the responsible regional chimney sweepers are able to approve and permit the installation of an Urfeuer.

Before installing the fireplace, consult the district chimney sweep master!

The floor space of the room must have a suitable structure and sufficient dimensions to ensure proper functioning of the fireplace. Please note, that other installation and assembly instructions are included in other packaging units!

Dimensioning of downstream heat accumulator must be according to valid stove-setting rules. During installation of the fireplace, all dimensions and minimal clearances of the fireplace casing must be held as specified by the manufacturer.

All binding national or EU standards and local regulations for the installation of fireplaces must be observed. All valid stove fitting rules and regulations of local construction law must be observed and followed. Please follow the relevant regulations of your country.

When these instructions are followed and all works are done properly, this will ensure a safe, energy-saving and environmentally friendly operation of the stove. Pictures shown are not to be considered as complete representations of any kind.

Subject to technical and assortment changes.

Please notify your supplier of any damage which might have occurred during transport. Please keep these instructions.

Please also take note of the online product documentation provided by:

[General instructions of the Brunner products installation for the stove construction.](https://www.brunner.de/produktdownloads/kachelofen-kamine/allgemeine-hinweise-fuer-den-aufbau_de.pdf)

([https://www.brunner.de/produktdownloads/kachelofen-kamine/allgemeine-hinweise-fuer-den-aufbau\\_de.pdf](https://www.brunner.de/produktdownloads/kachelofen-kamine/allgemeine-hinweise-fuer-den-aufbau_de.pdf)) laden können.

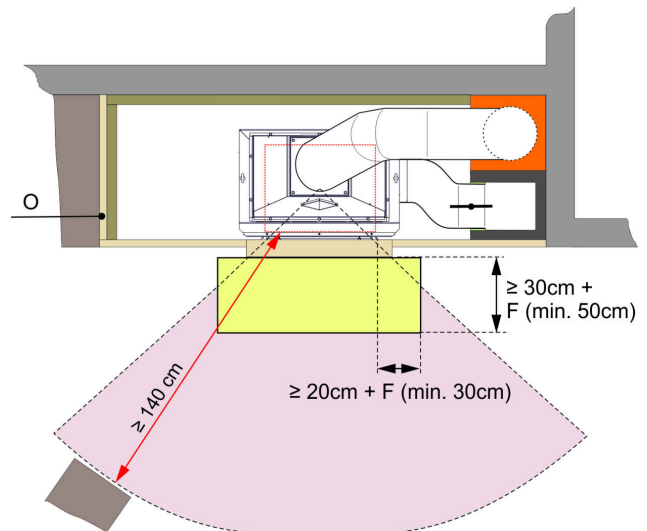


Replacement for the chapter 'In the radiant area of the fireplace insert' from 'General construction information' of the Brunner products ment for the stove fitters':

### In the radiation area of the Urfeuer fireplace

Parts made of flammable building materials or with combustible components (48) also built-in furniture (49) must have in front of the combustion chamber opening, upwards and from the sides at least a distance of **140 cm**. If these parts are shielded by a double-sided ventilated radiation protection, a distance of **70 cm** is sufficient.

O = not active surface; F = height between floor and combustion chamber



## 2 PRODUCT DESCRIPTION

The Urfeuer fireplaces can be installed together with the optional combustion air intake from outside the building. In this case, the combustion air is supplied via a separate connecting piece. The external air supply must include a tight flap or valve for closing. There are four possible variants of this flap or valve:

1. Single manual flap 250mm, part no. N003055-01
2. Single motorized flap 250mm, part no. N003055-02
3. Double manual flap 250mm, part no. N003085-01
4. Double motorized flap 250mm, part no. N003085-02

All Urfeuer fireplaces are designed for direct chimney connection and provided with a spark mesh, a protection against glowing embers and an integrated shut-off flap.

## 3 PRECAUTIONARY STATEMENTS



### Initial operation

The paint coat of the stove is not completely hardened before reaching normal operating temperature for the first time. Smoke emissions and unpleasant odours cannot be excluded. Therefore, provide sufficient ventilation of the room when lighting the fire. Open doors and windows, use an electric fan if necessary, to ensure faster air exchange within the room. During first operation try to avoid staying in this room for too long, if possible.

**Combustion air supply**

Structural means for combustion air supply cannot be modified. Functionality must be ensured by regular checks.

**Allowable fuels**

Please use only fuels of quality and quantity described in this manual. Other fuels are not allowed.

**Risk of burns**

The external surfaces are getting hot. Do not touch - risk of burns! Remember to warn your children about this. Basically, children should stay away from a burning stove.

For operation use always the attached operating tool!

**Fire hazard****Distance to furnishings**

Objects made of flammable materials may not be placed on external casing surfaces of the fireplace.

Between the surfaces of the stove casings from ceramic tiles or plaster and flammable materials, a minimal distance of **5 cm** must be kept. This distance must allow for air circulation. A much greater distance must be kept from fireplace surfaces made of metal.

**Prohibited fuels**

Never use petrol or alcohol as aids for lighting fire!

Not suitable fuel types, qualities or amounts can lead to damages.

**Removing ashes**

Only cold ashes should be removed from the fireplace; store the ashes in a fire-resistant container for at least 24 hours before disposal. Glowing embers can be found in ashes for a very long time.

**Chimney fire**

In case of fire call the fire brigade immediately!

In the case of chimney fire move all flammable parts and elements away from the chimney. Watch out for flying sparks.

**Cleaning and maintenance**

The functionality and the safe operation of the fireplace depend on regular cleaning and proper maintenance.

**Spilling out embers**

To prevent spilling out of embers, use the provided protection strip when the Urfeuer fireplace is in use.

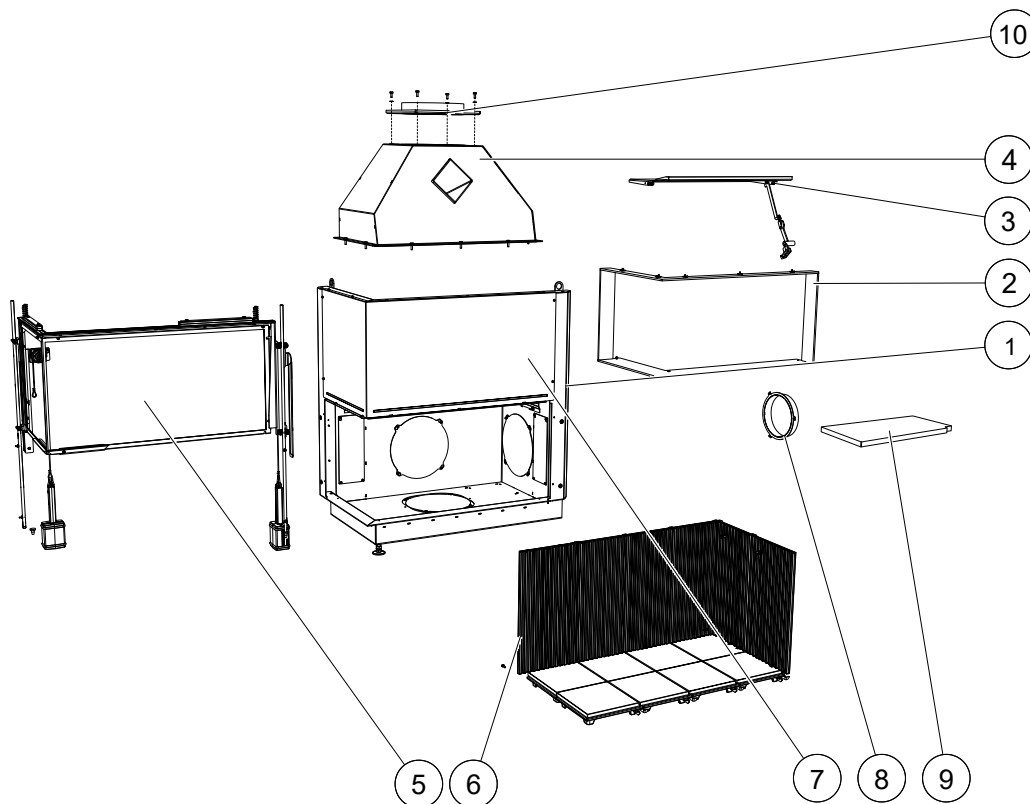
The fireplace can be used only under supervision!

## 4 DELIVERY CONTENTS

The basic device is delivered preassembled on a pallet. The combustion chamber linings are attached as a separate packing unit. Other components (combustion chamber extension plates, mounting frame, etc.) are delivered in further packing units.

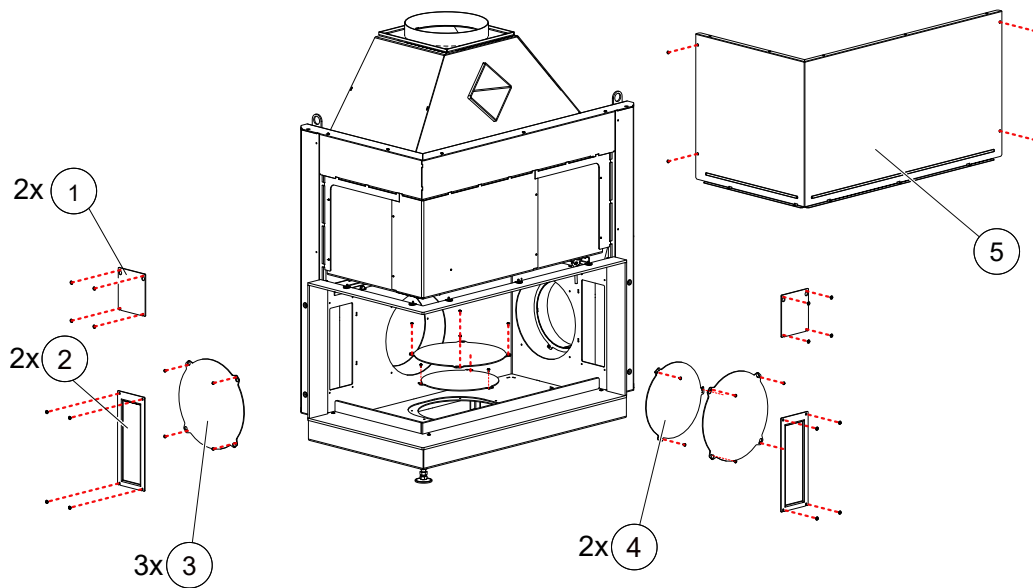
## 5 ASSEMBLIES

Overview: Urfeuer 50/88/44 left corner



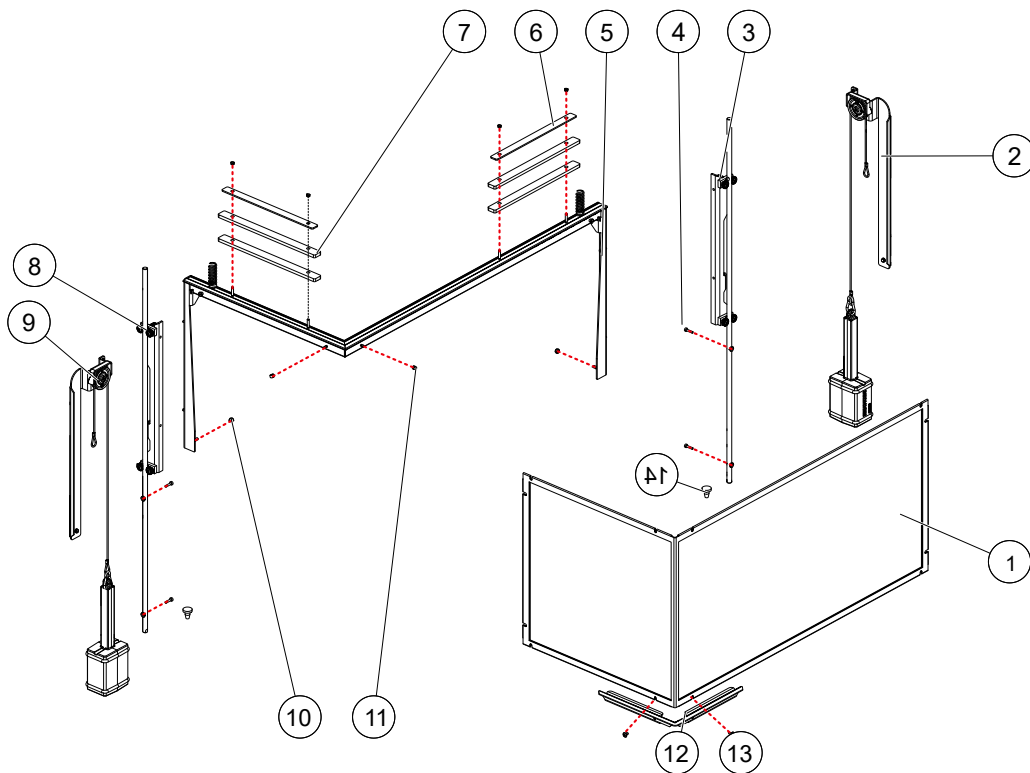
Item	Part No.	Designation	Item	Part No.	Designation
1	D023503	Body, complete	2	D023004-02	Complete mounting frame
3	D023512	Shut-off flap	4	D024015	Smoke collector
5	D023509	Spark protection frame	6	D023010	Cast iron combustion chamber linings
7	D023513	Glowing embers protection strip	8	D015120	Air connection d250
9	D023023	Deflector plate	10	I008223	300mm smoke pipe

**Body assembly**



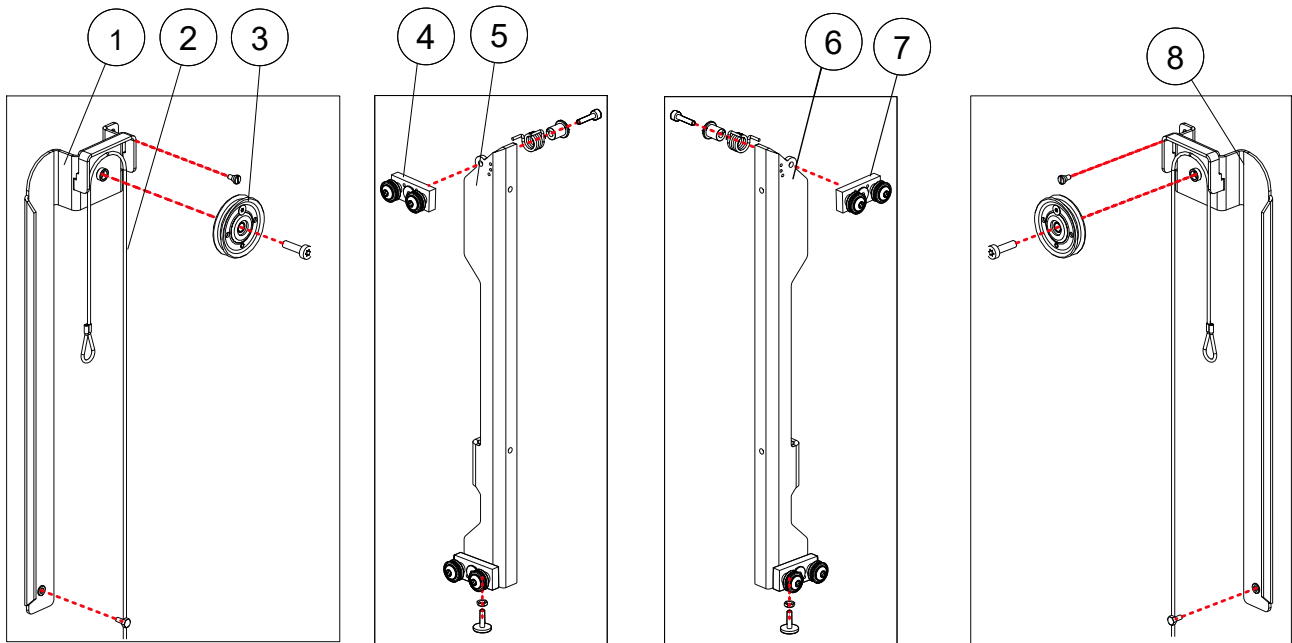
Item	Part No.	Designation	Pcs.	Item	Part No.	Designation	
1	D021084	Pulley revision cover	2	2	D020082	Counterweights revision cover	2
3	D015097	280mm blind cover	3	4	D015096	250mm blind cover	2
5	D023524	Front plate	1				1

**Spark protection mechanics assembly**



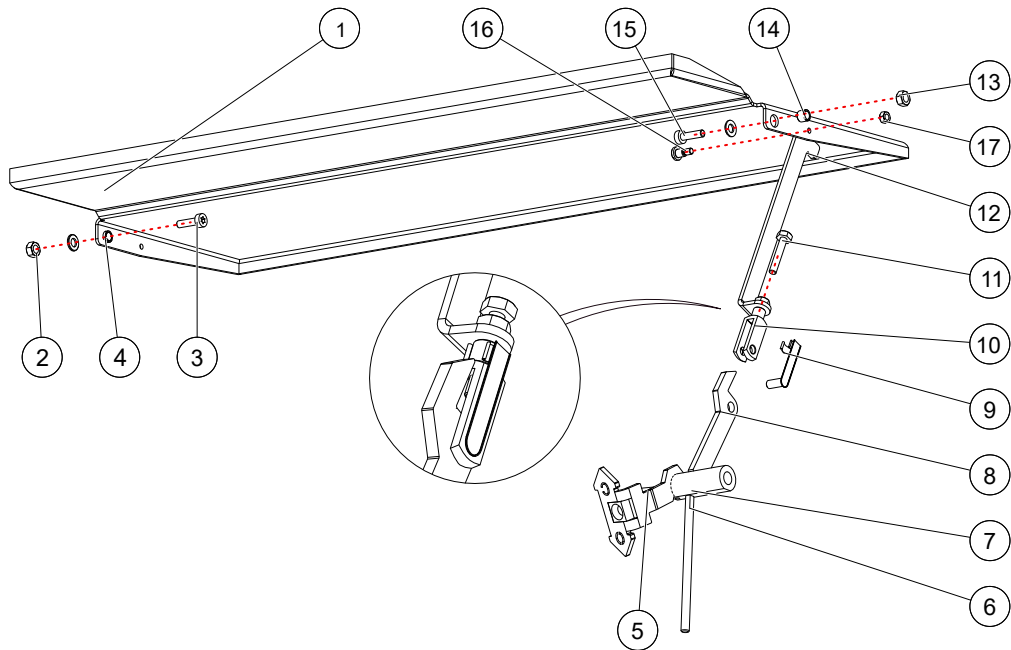


Item	Part No.	Designation	Pcs.	Item	Part No.	Designation	Pcs.
1	D023030	Spark mesh bend assembly	1	2	D020100	Pulley suspension assembly	1
3	D021039	Pulley assembly, left side	1	4		Cylinder screw M5x20	4
5	D023028	Spark protection frame assembly	1	6	D015038	Counterweights adjustment plate	2
7	D015179	500g counterweight adjustment plate	4	8	D021037	Spark mesh guide rollers assembly	1
9	D020092	Pulley suspension assembly, right side	1	10	800286	Hexagon nut M6	2
11	800548	Cap nut M5	5	12	800016	Flat head screw M5x5	2
13	02581	Lens flange screw M5x10	2	14	I001149	Bottom door stop	2



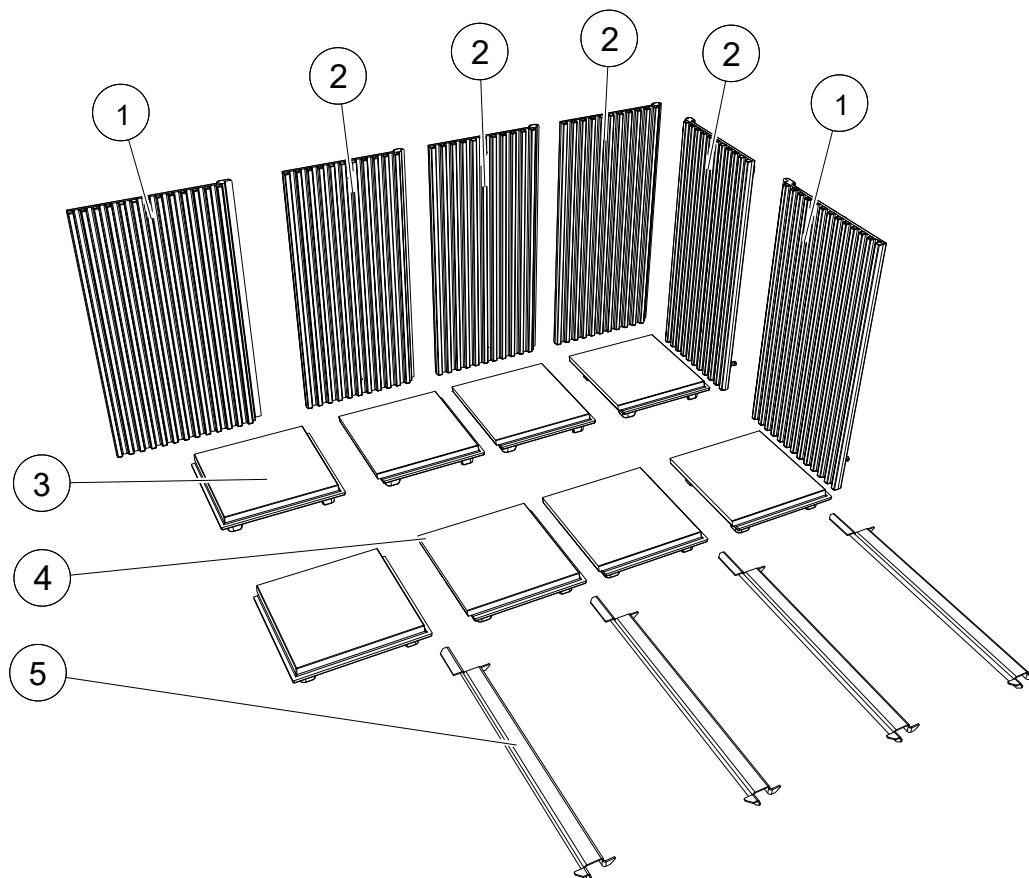
Item	Part No.	Designation	Pcs.	Item	Part No.	Designation	Pcs.
1	D020100	Pulley suspension, left side	1	2	2001902	Stainless steel cable L = 800 mm	2
3	I047124	Pulley plates D60	2	4	I003212	Guide roller bearing, left side	2
5	D021071	Door rail, left side	1	6	D021070	Door rail, right side	1
7	I003247	Guide roller bearing, right side	1	8	D020092	Pulley suspension	2

**Shut-off flap assembly**

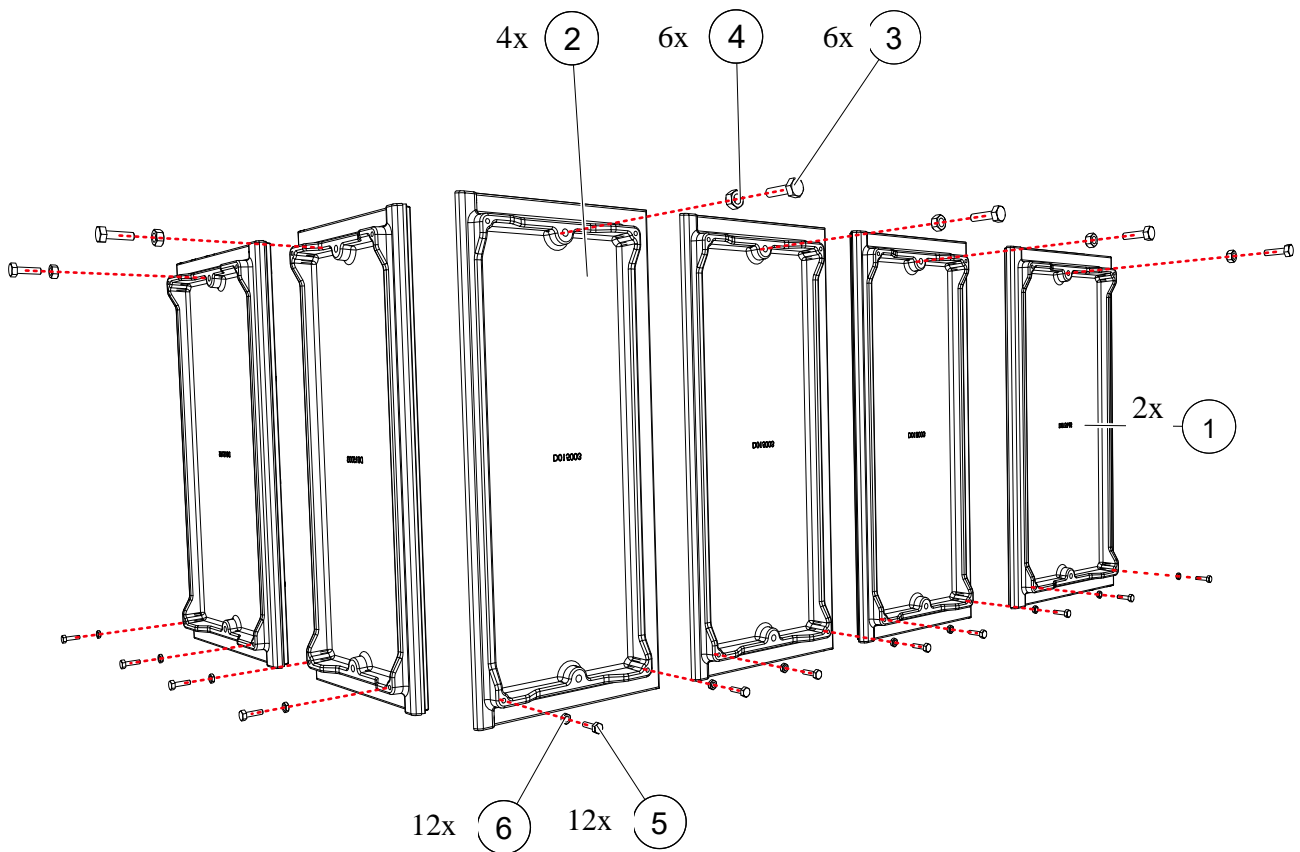


Item	Part No.	Designation	Pcs.	Item	Part No.	Designation	Pcs.
1	D023512	Shut-off flap UF 50-88-44	1	2	800386	Hexagon nut M8	3
3	800176	Cylinder screw M8x25	1	4	800534	Bearing bush	1
5		Shut-off flap reversing lever, short	1	6	D023042	Signaling pin	1
7		Shut-off flap reversing axle	1	8		Shut-off flap reversing lever, long	1
9	900826	Spring clip with groove	1	10	800453	Fork head	1
11	800257	Hexagon screw M8x40	1	12	D021079	Shut-off flap linkage, part 1	1
13	800386	Hexagon nut M8	1	14	800534	Bearing bush	1
15	800176	Cylinder screw M8x25	1	16	800423	Flat head screw M6x8	1
17	800433	Hexagon nut M6	1				

**Combustion chamber linings assembly**

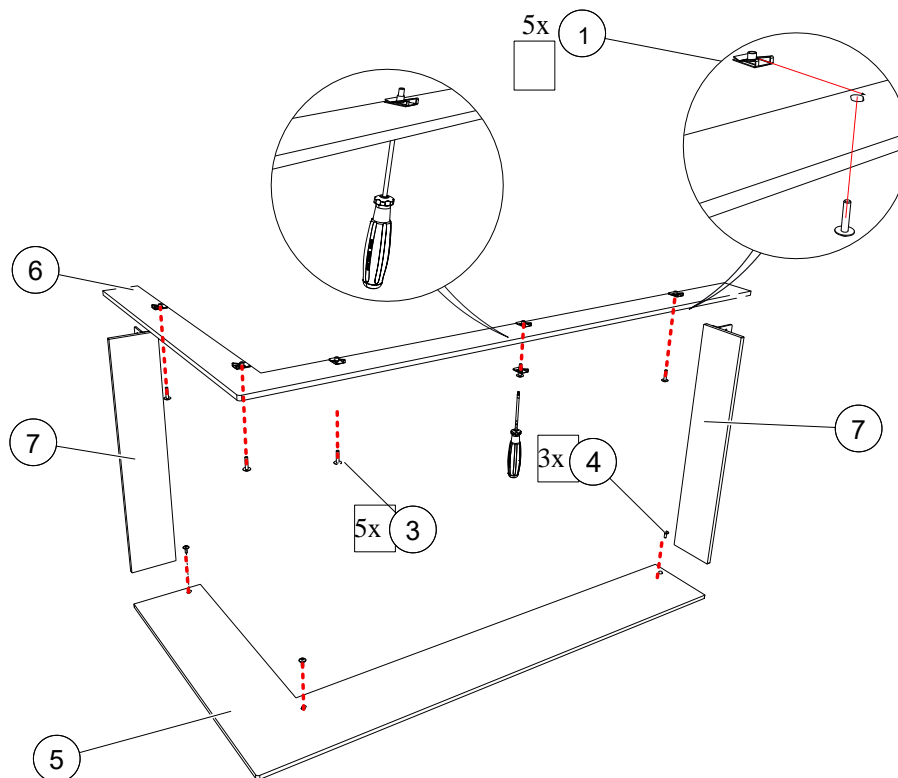


Item	Part No.	Designation	Pcs.	Item	Part No.	Designation	Pcs.
1	D015165	Combustion chamber linings assembly, part 3	2	2	D015003	Combustion chamber linings assembly, part 2	4
3	D015005	Cast iron fireplace bottom plate 1	2	4	D015091	Cast iron fireplace bottom plate 2	6
5	D015018	Fireplace bottom spacer	4		902000	Assembly parts of cast iron plate	



Item	Part No.	Designation	Pcs.	Item	Part No.	Designation	Pcs.
1	D015165	Combustion chamber wall lining 3	2	2	D015003	Combustion chamber lining 2	4
3	800387	Hexagon screw M8x25	6	4	800386	Hexagon nut M8	6
5	800299	Hexagon screw M5x16	12	6	800002	Hexagon nut M5	12

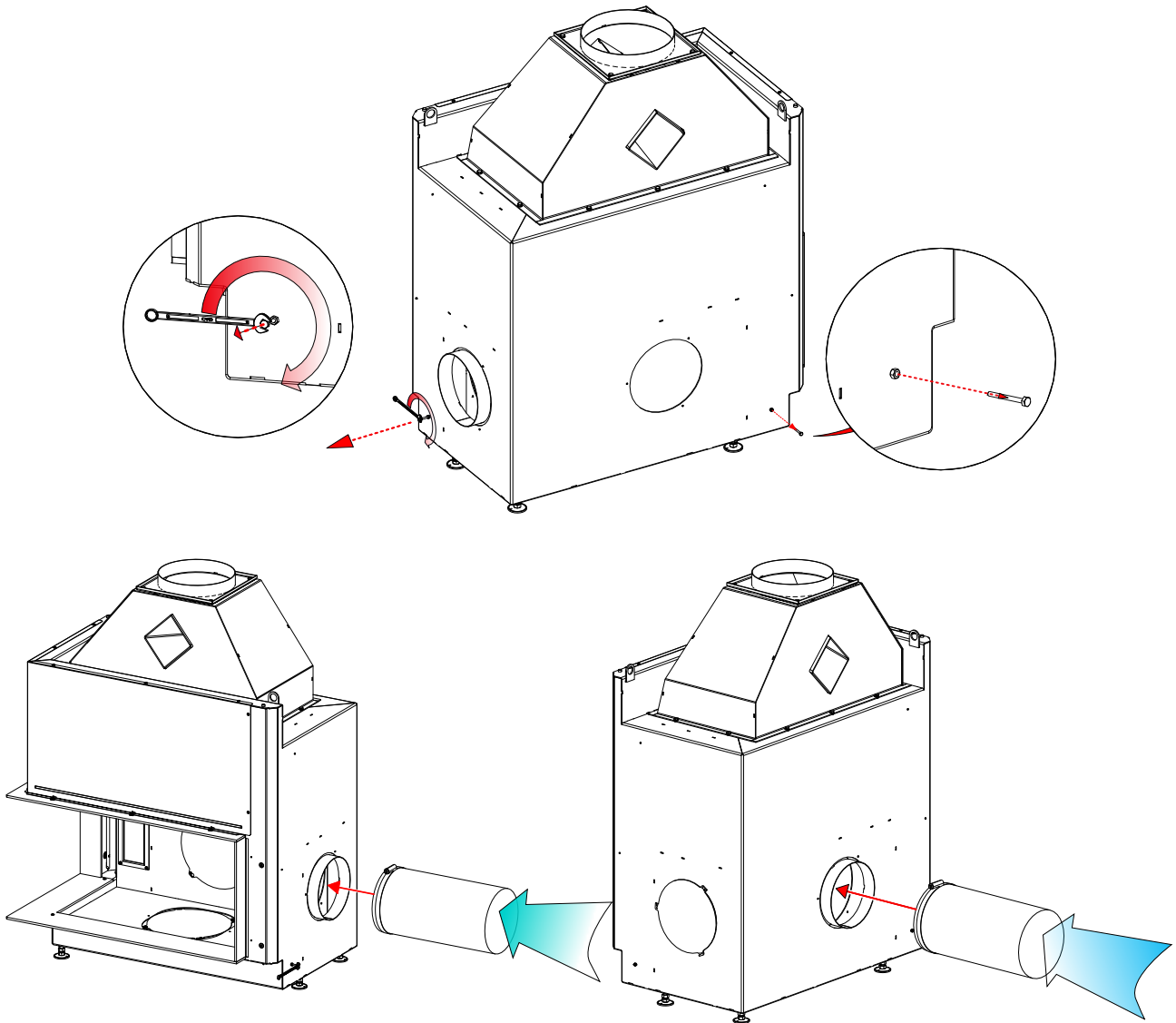
**Mounting frame assembly**

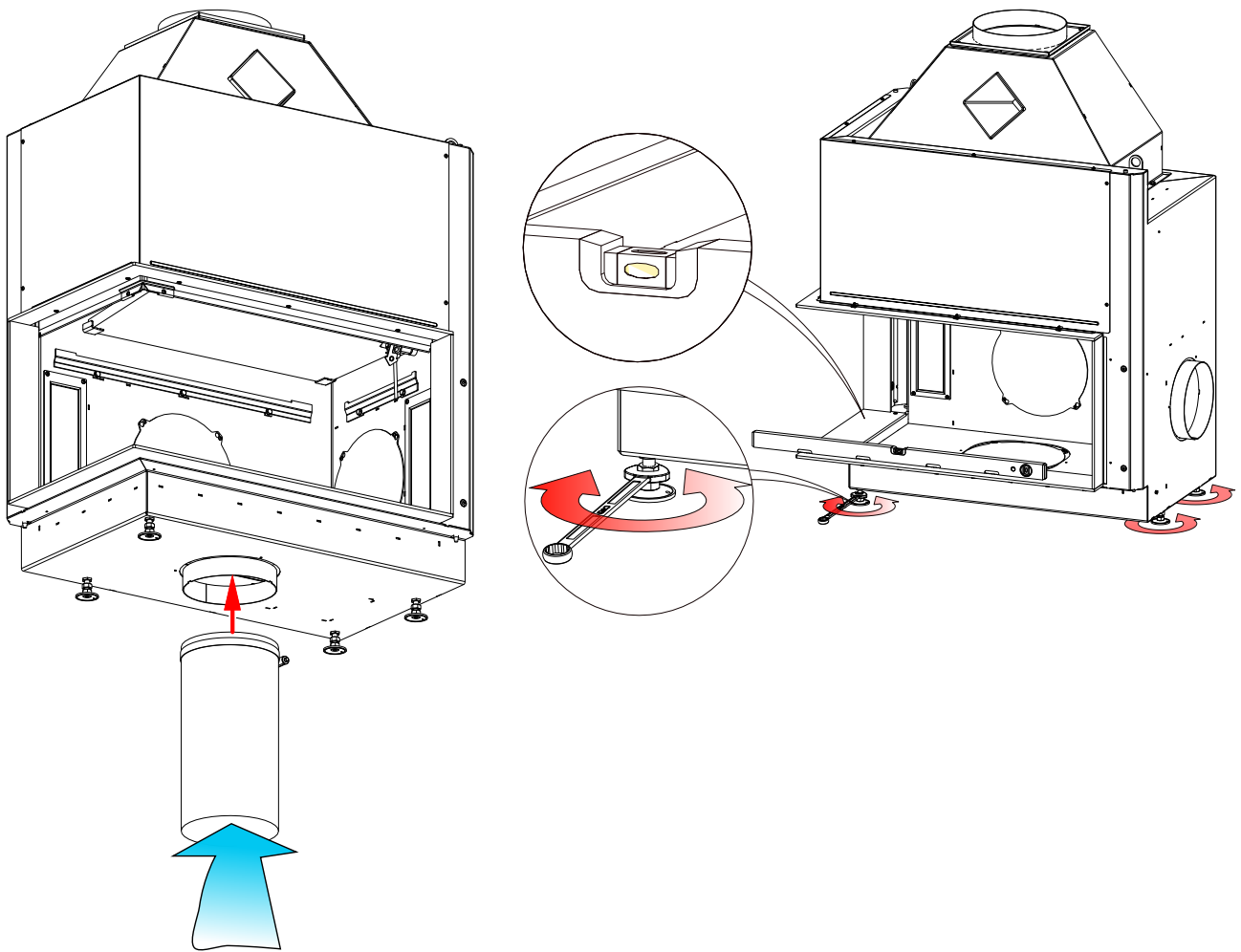


Item	Part No.	Designation	Pcs.	Item	Part No.	Designation	Pcs.
1	00947	Sheet metal nut M5	4	3	800529	Lens flange screw M5x20	4
4	02021	Lens flange screw M5x12	3	5	D023033-02	Mounting frame lower cross-piece	1
6	D023034-02	Mounting frame upper cross-piece	1	7	D021088-02	Narrow cover, left-right	2

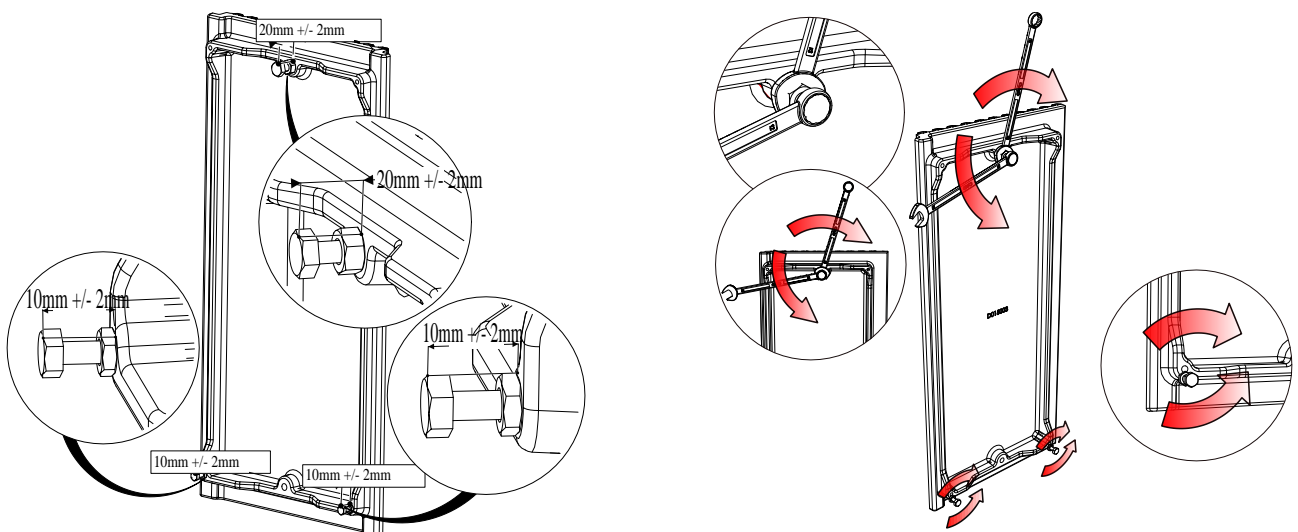
## 6 ASSEMBLY

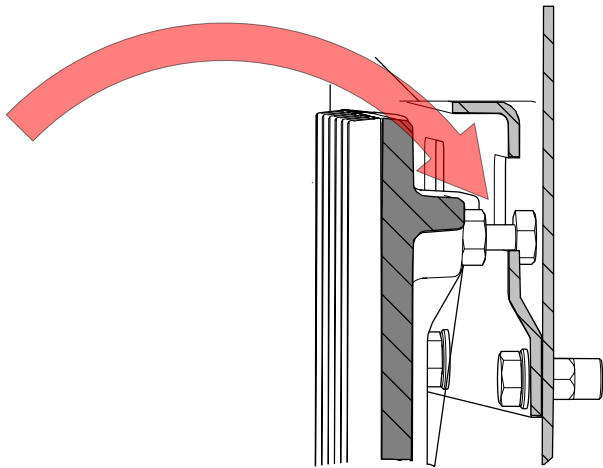
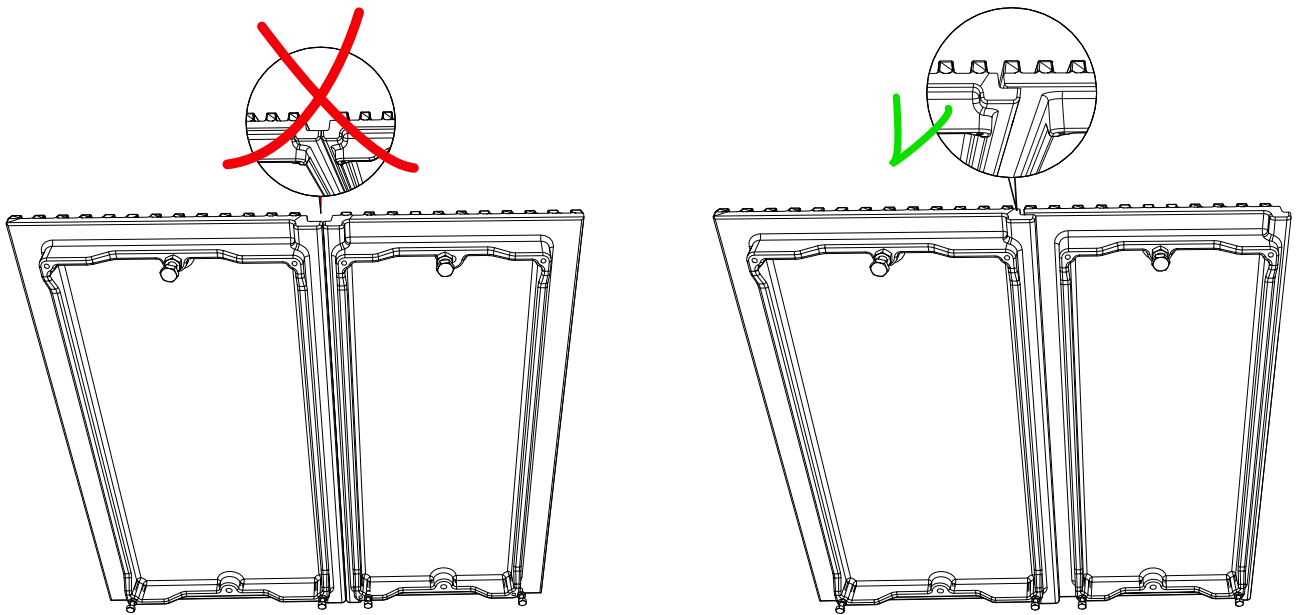
### 6.1 SETTING UP





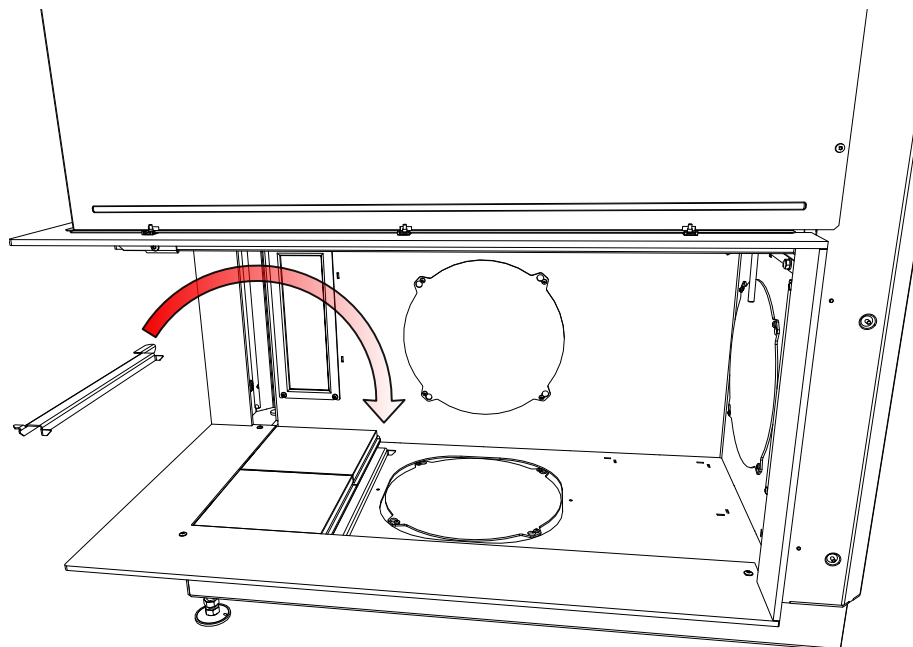
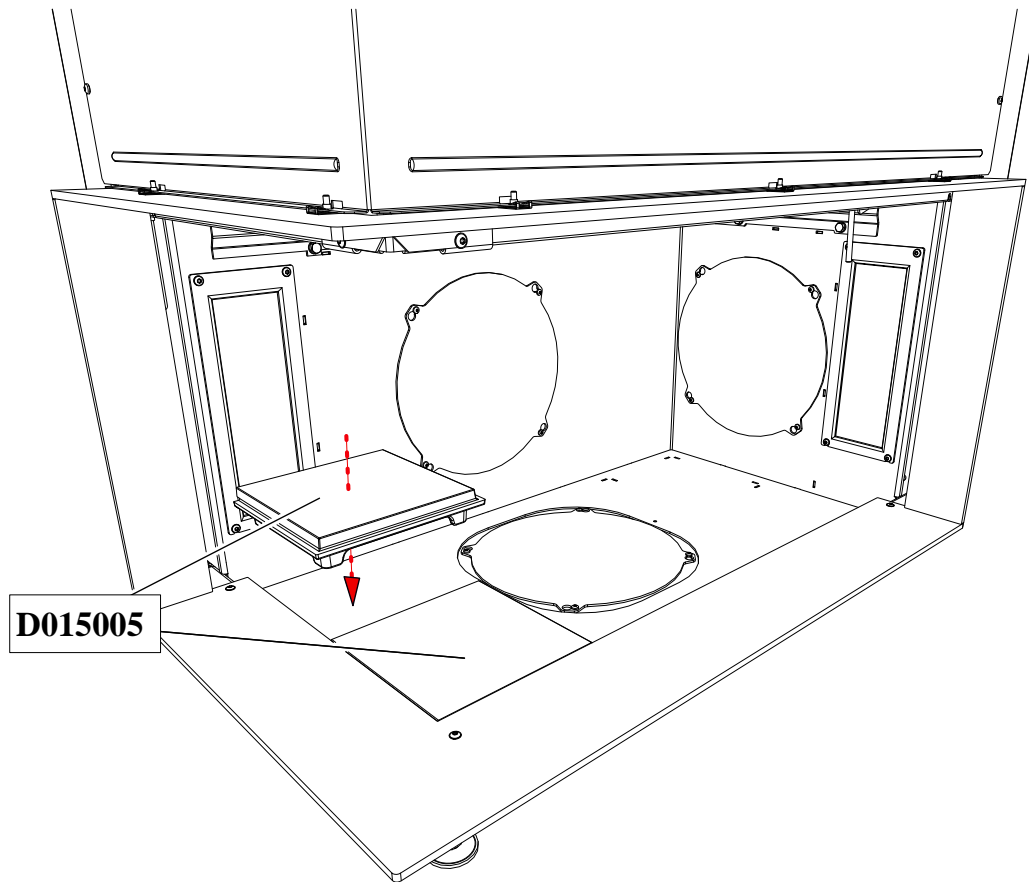
## 6.2 PREPARATION OF COMBUSTION CHAMBER

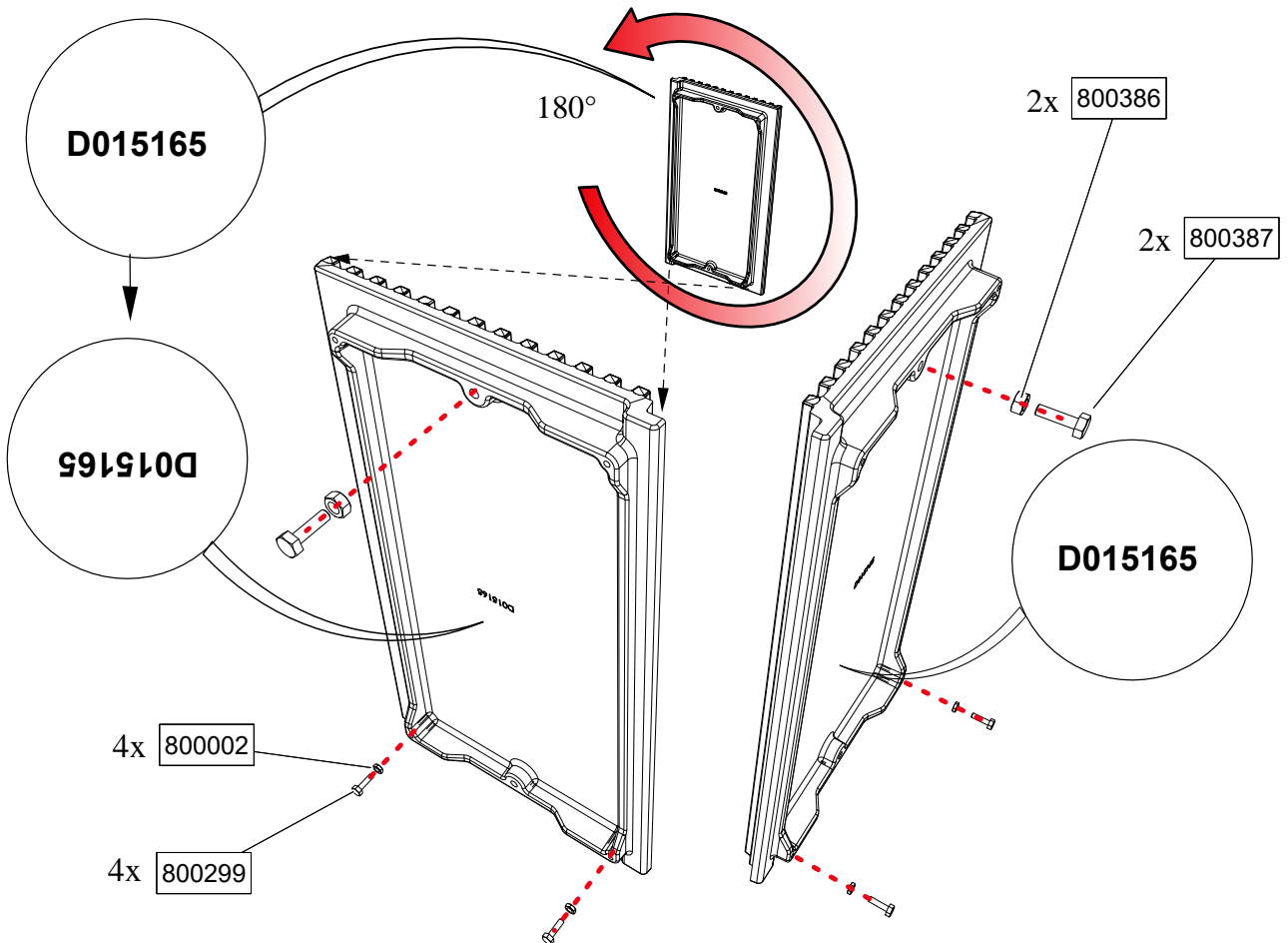
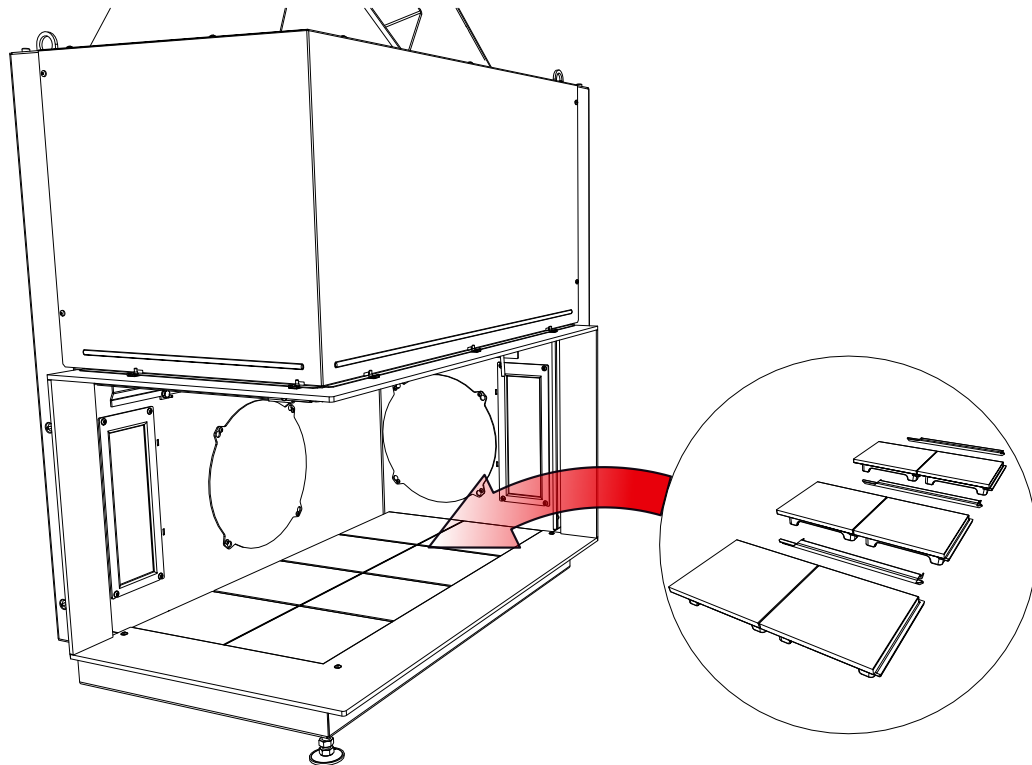


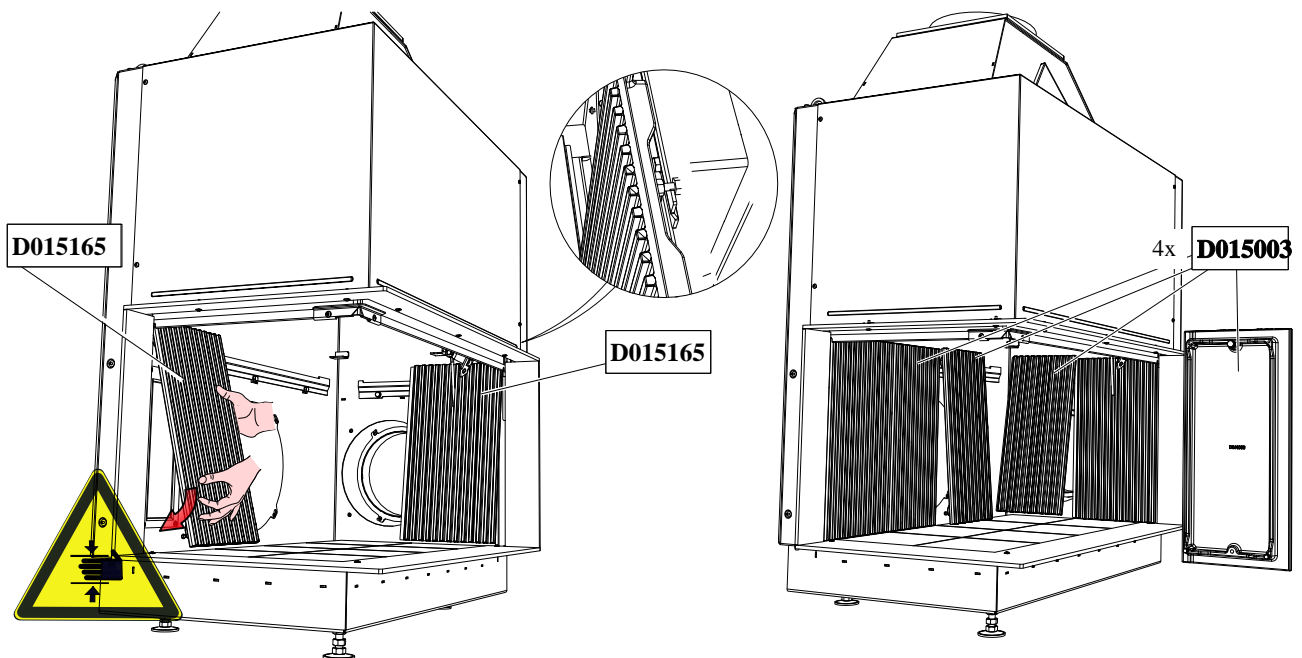
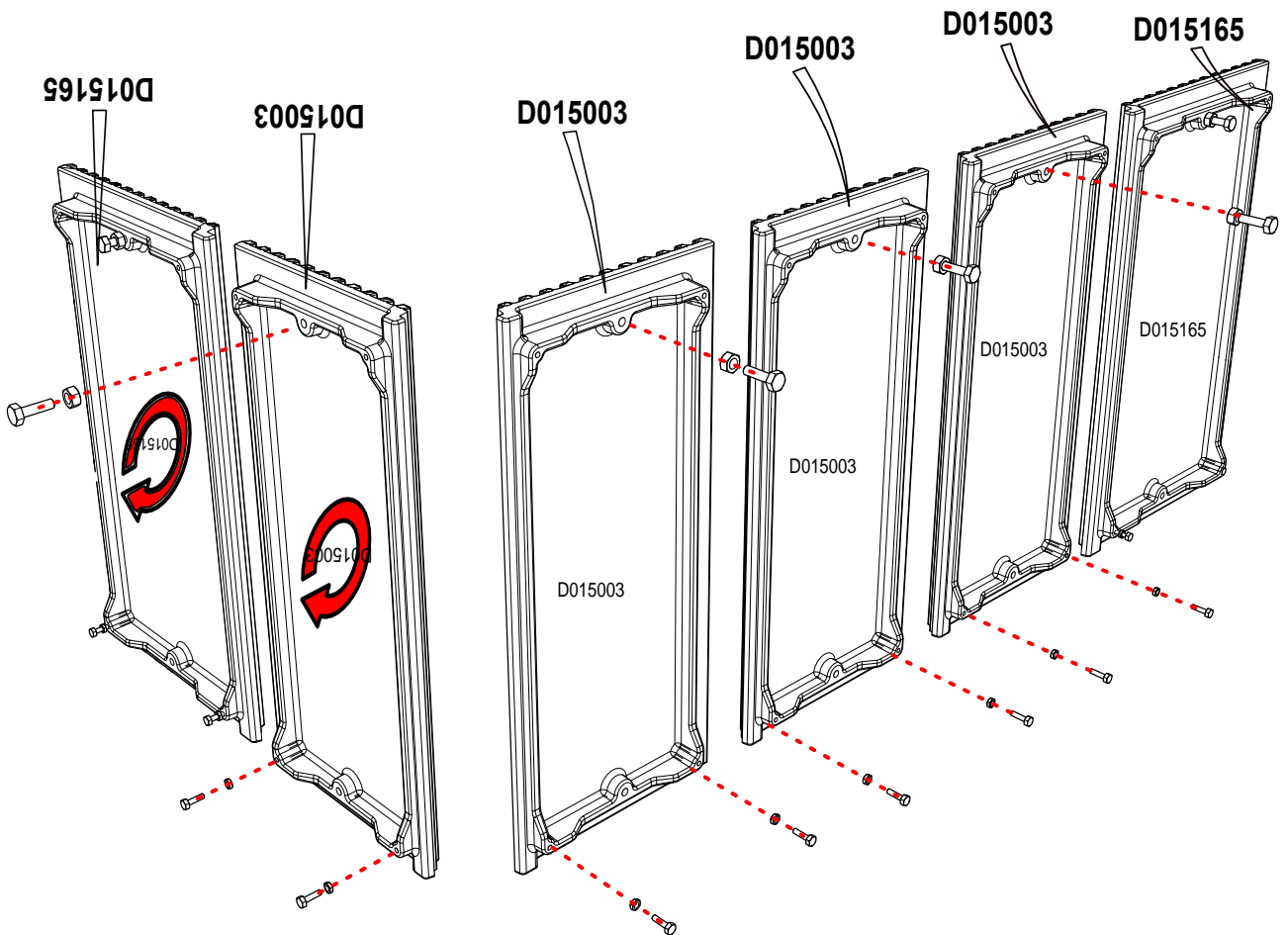




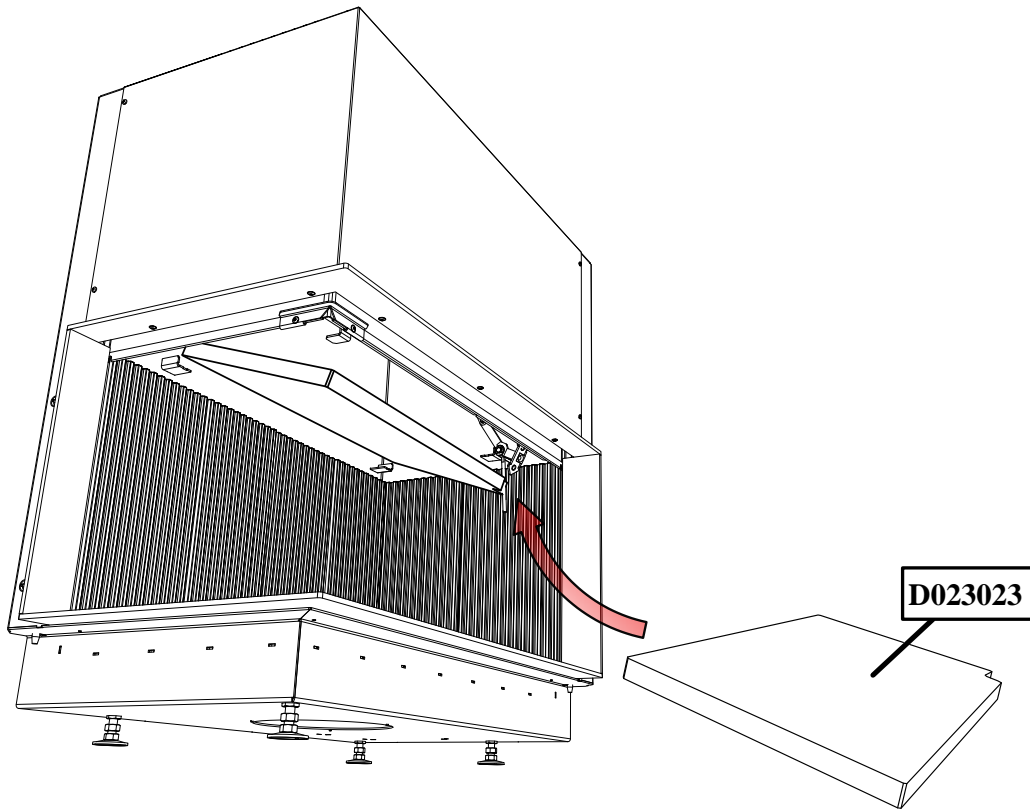
### 6.3 THE COMPONENTS OF THE COMBUSTION CHAMBER



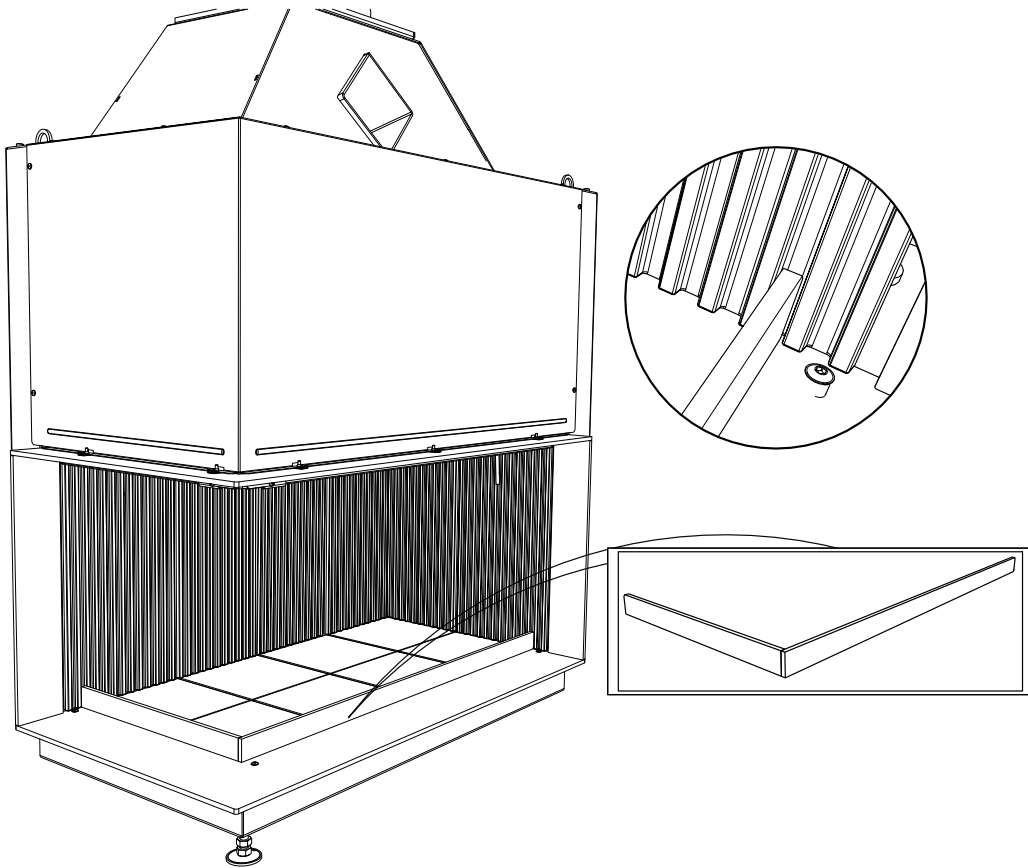




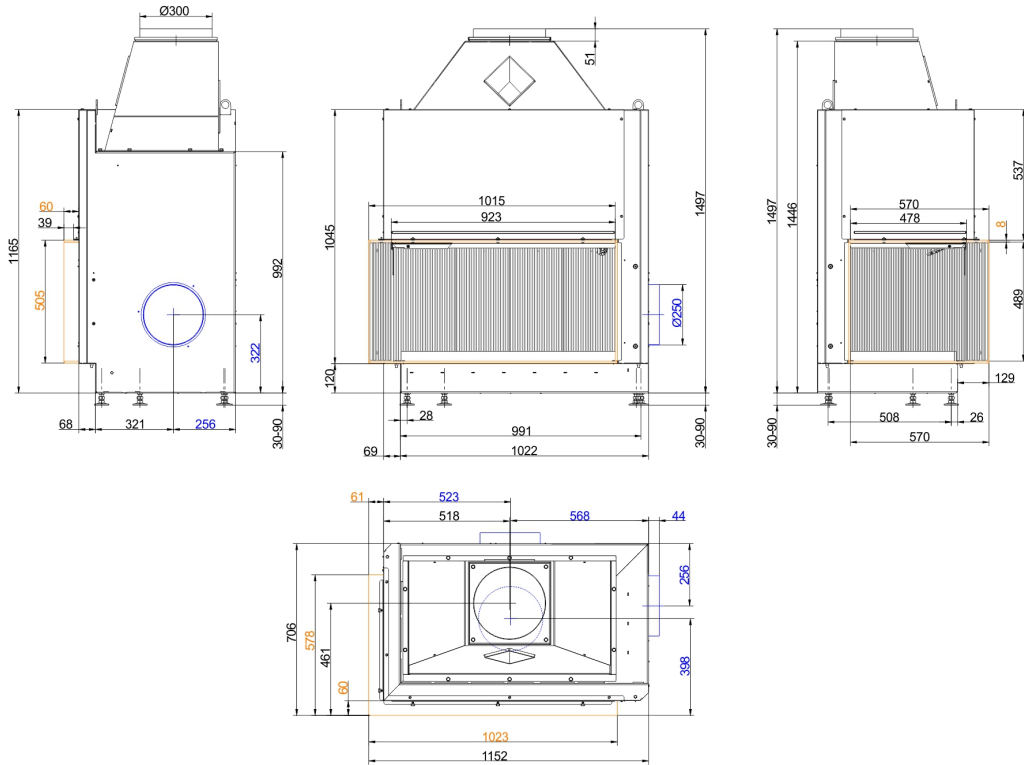
## 6.4 DEFLECTOR PLATE



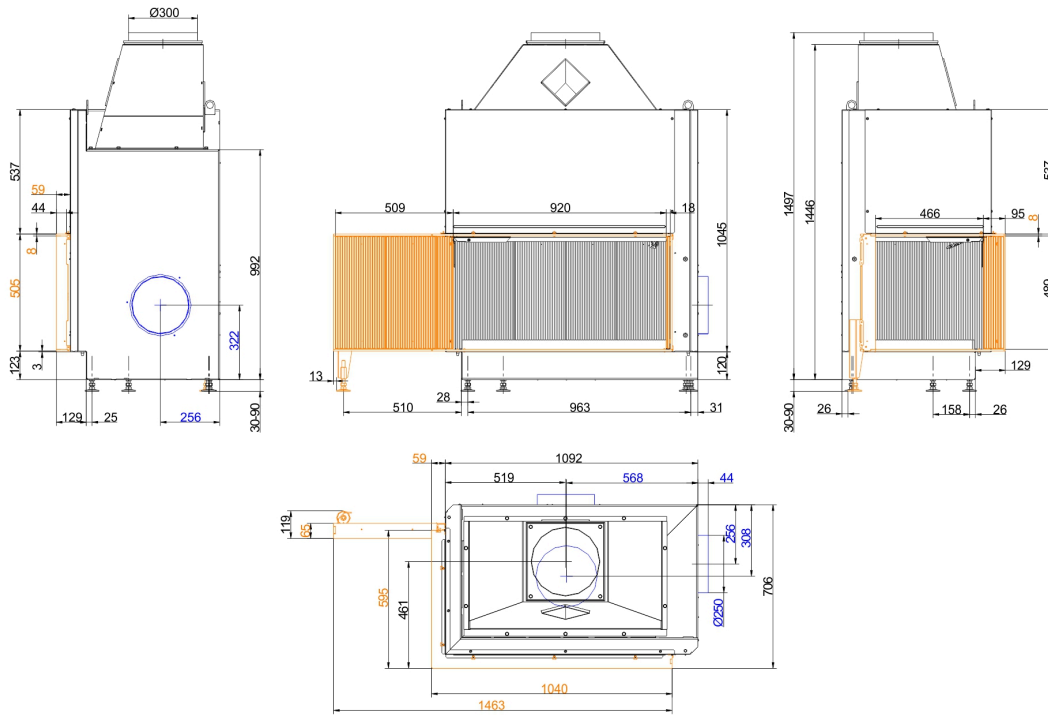
## 6.5 SPARK PROTECTION



# Dimension sheets - Urfeuer® Eck 50/88/44

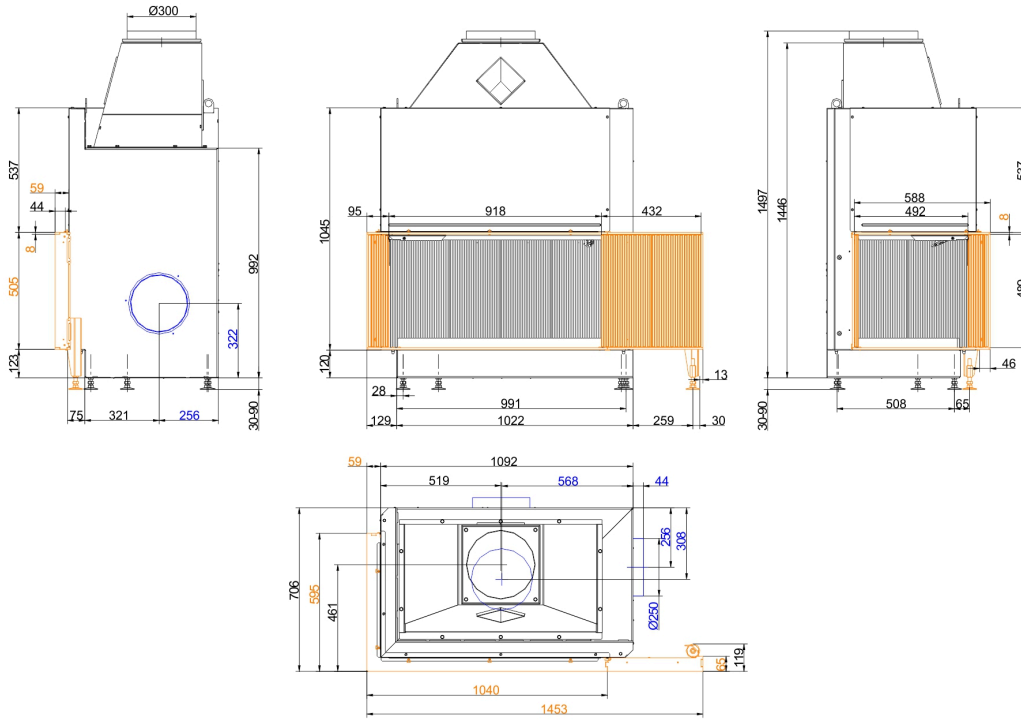


... left with mounting frame

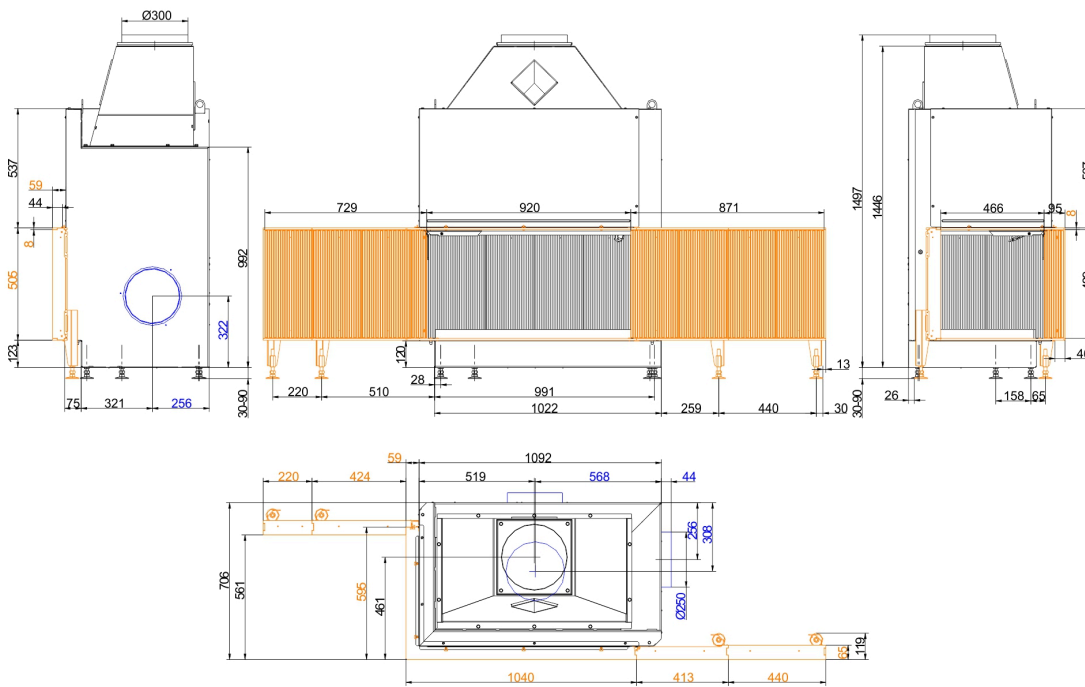


... left with mounting frame L2, 90°

# Dimension sheets - Urfeuer® Eck 50/88/44

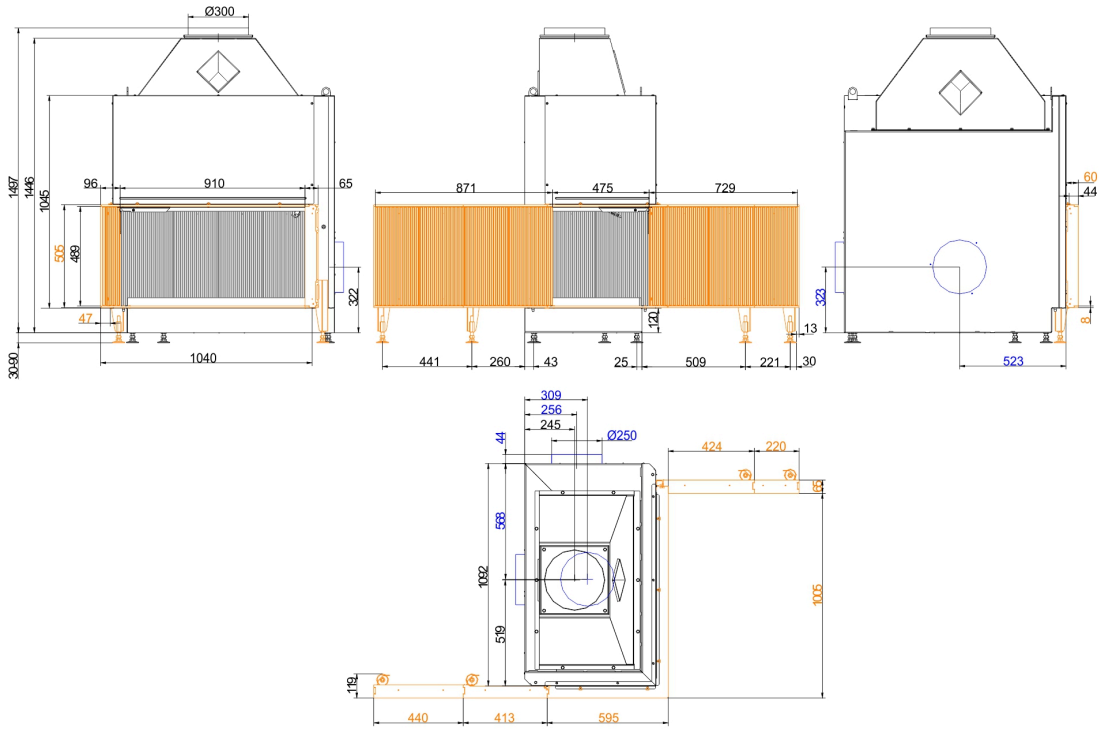


... left with mounting frame R2, 0°

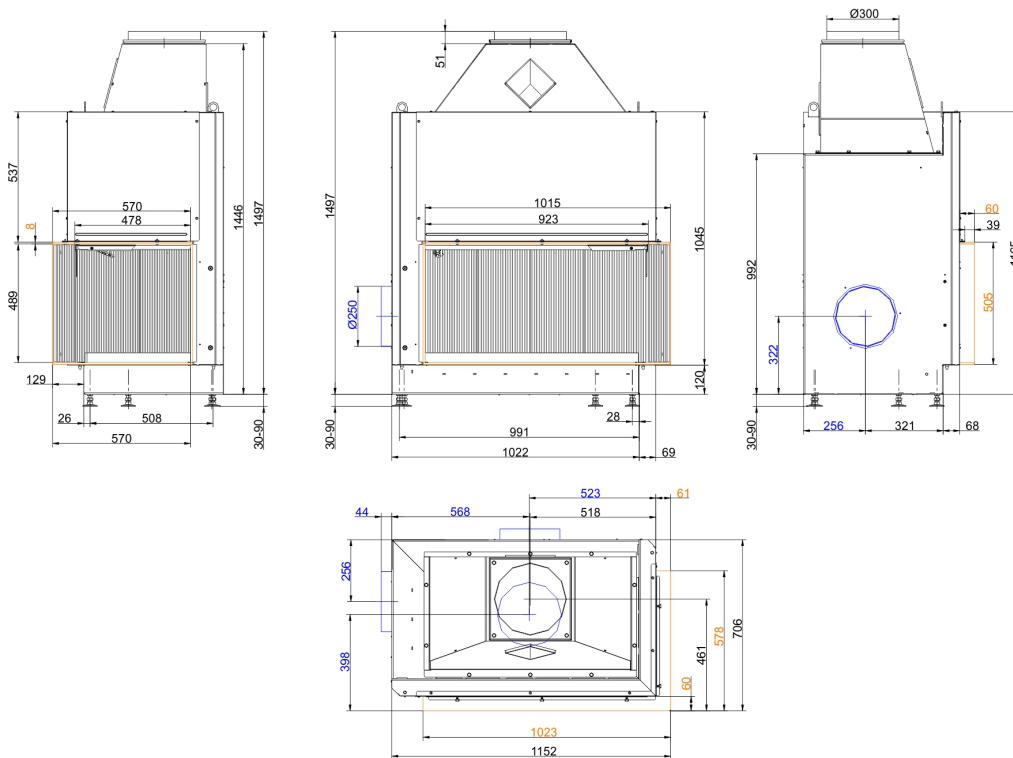


... left with mounting frame L3, 90° / R4, 0°

# Dimension sheets - Urfeuer® Eck 50/88/44



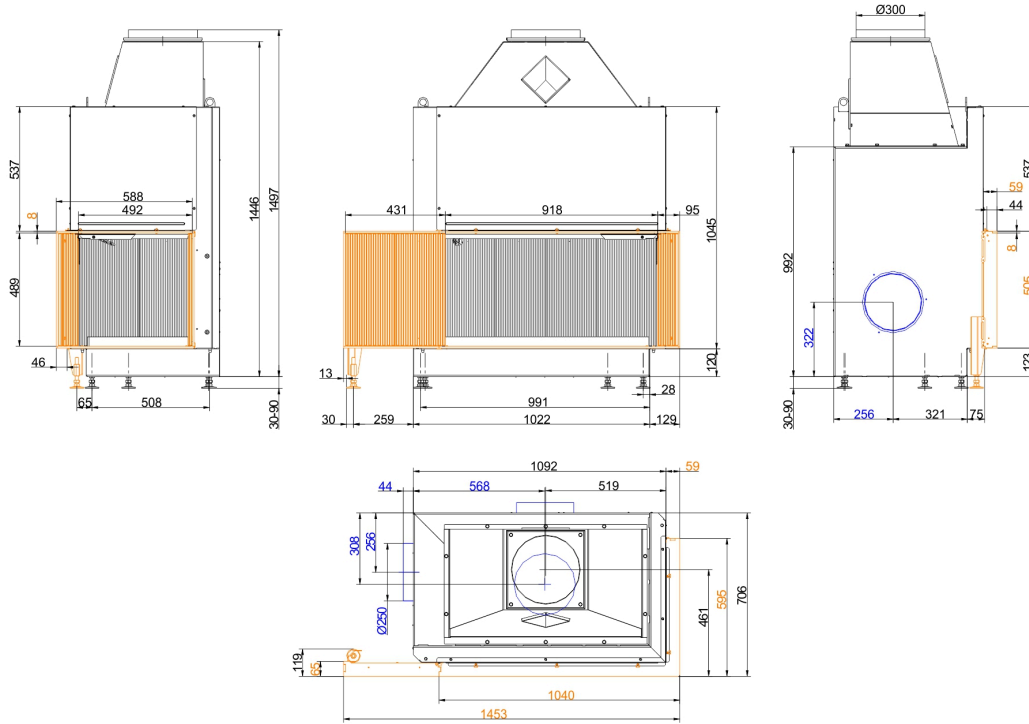
... left with mounting frame L4, 0° / R3, 90°



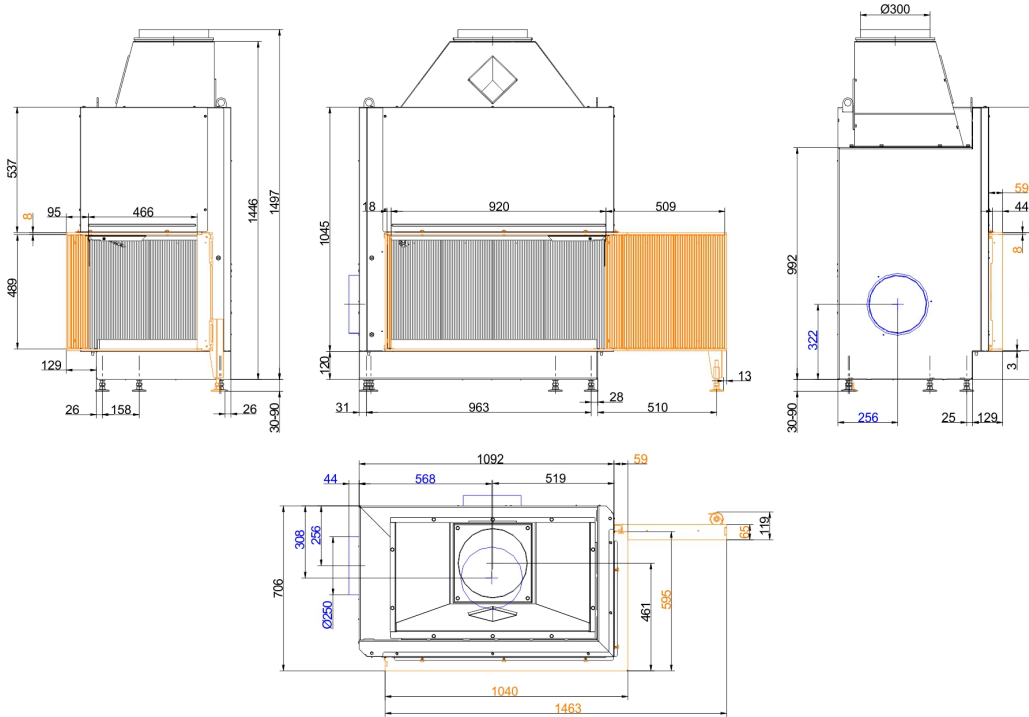
... right with mounting frame



# Dimension sheets - Urfeuer® Eck 50/88/44

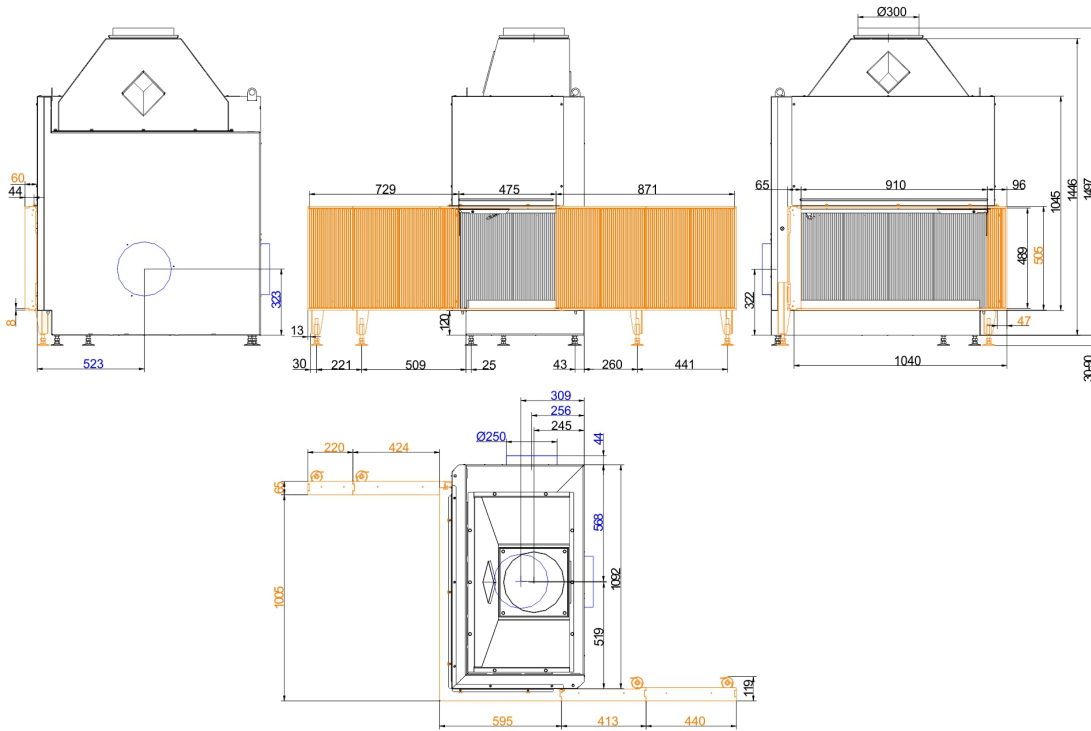


... right with mounting frame L2, 0°

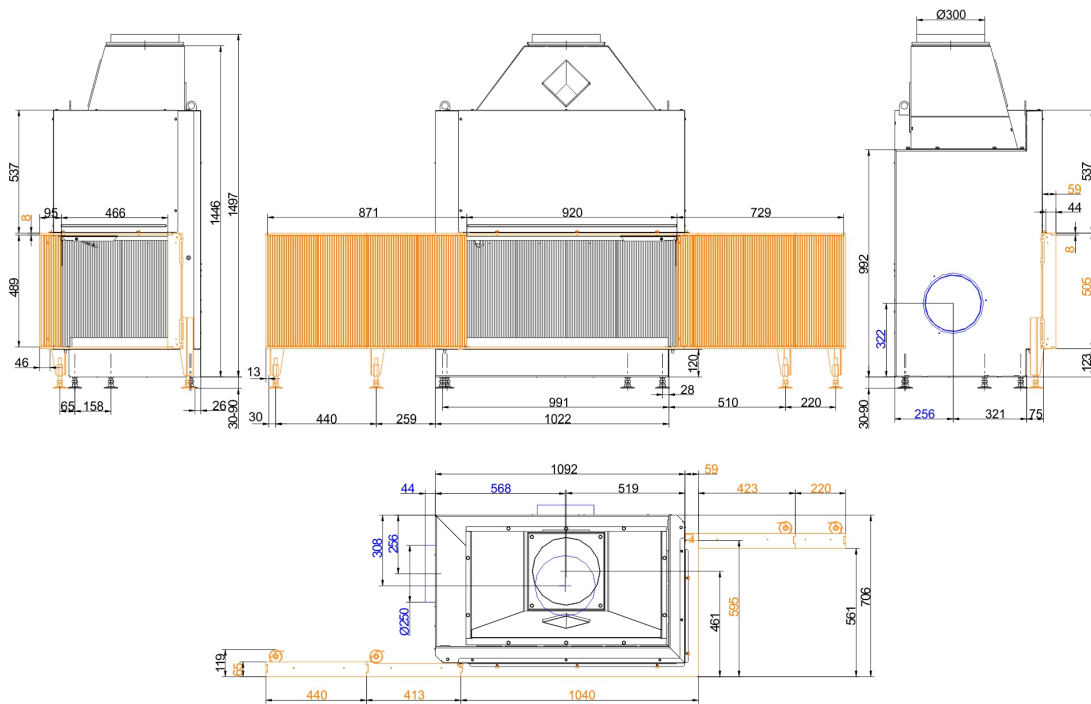


... right with mounting frame R2, 90°

# Dimension sheets - Urfeuer® Eck 50/88/44



... right with mounting frame L3, 90° / R4, 0°



... right with mounting frame L4, 0° / R3, 90°

We suggest for CAD planning Palette CAD. Permanent updated drawings: [www.brunner.de](http://www.brunner.de)  
 Frames/ flue gas outlet connection/ combustion air supply connection/ front variants/ support bearing are marked in color.

## Planning and installation - Urfeuer® Eck 50/88/44

<b>Data for functional demonstration <sup>1)</sup></b>		
Flue gas mass flow	g/s	135
Flue gas temperature	°C	95
Necessary supply pressure	Pa	6
Total fuel load	kg	2 - 5
Combustion air consumption	m <sup>3</sup> /h	309
Combustion air connection Ø	mm	250
<b>Cross-section of gratings</b>		
exhaust warm air	cm <sup>2</sup>	500
Recirculation air	cm <sup>2</sup>	500
<b>Minimal distances of the fireplace</b>		
to cladding, insulation layer	cm	6
to mounting floor	cm	2.5
<b>Heat insulation</b>		
to mounting wall	cm	10
to mounting floor	cm	2
Brick lining for combustible wall	cm	10
from top of fireplace to ceiling	cm	14
<b>Weight</b>		
Fireplace / combustion chamber	kg	241 / 111

- 1) Urfeuer fireplaces are industrially prefabricated components for open fireplaces. Installation and planning are carried out according to the manufacturer's instructions and TROL. Open fireplaces may only be operated occasionally. The responsible district chimney sweep must be informed prior to the installation of an openly operated fireplace.

Ulrich Brunner GmbH  
Zellhuber Ring 17-18  
D-84307 Eggenfelden  
Tel.: +49 (0) 8721/771-0 / Fax: +49 (0) 8721/771-100  
Email: info@brunner.de

Technical and assortment changes as well as errors and misprints reserved.  
Reprinting and reproduction, even in part, only with the express permission of the publisher.

**Art.Nr.: 200245**